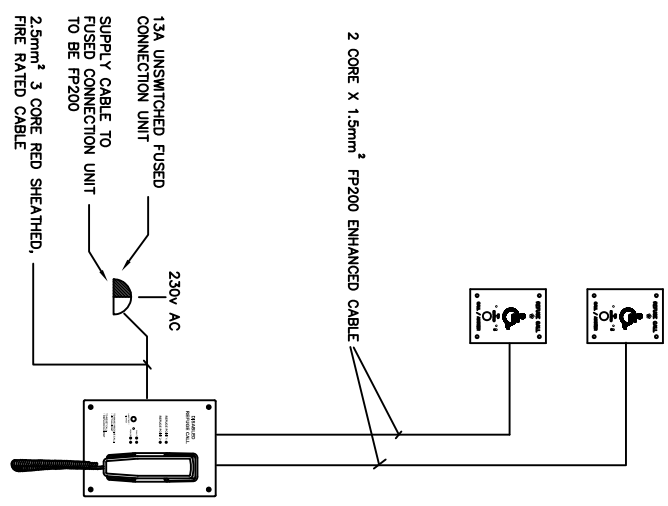
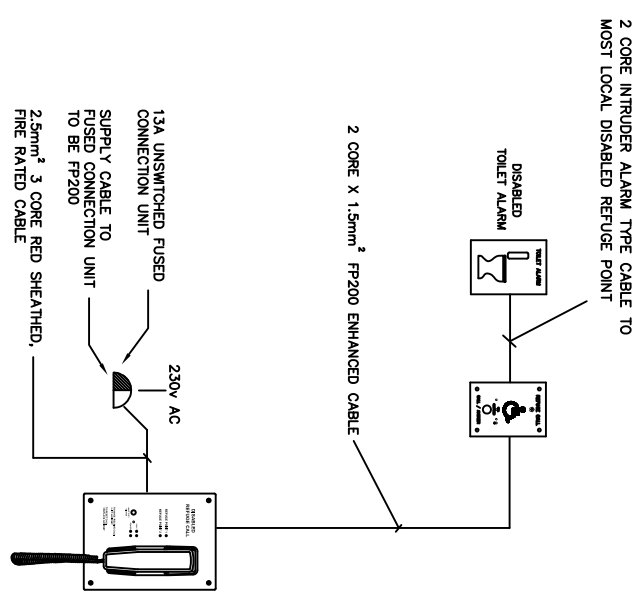


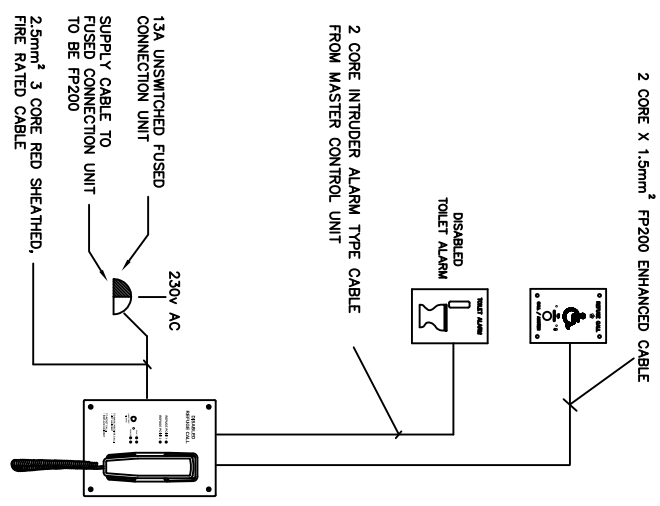
ORB/R/RS2



ORB/R/RS2/TA



ORB/R/RS2/TAR



ISSUE	DATE	MODIFICATION	DRN.	CHD.	DRAWN	DATE	SCALE	CHECKED	APPRD.
B	11.06.13	NEW CSL LOGO ADDED	K.C.B.		K.C.B.	12.12.12	---		

CAMEO SYSTEMS LTD		TEL (01202)892088	DRAWING NO. C51352	ISSUE B
29 HAVILAND ROAD		FERRDOWN INDUSTRIAL ESTATE		
WIMBORNE, DORSET, BH21 7SA ENGLAND		FAX (01202)861449		